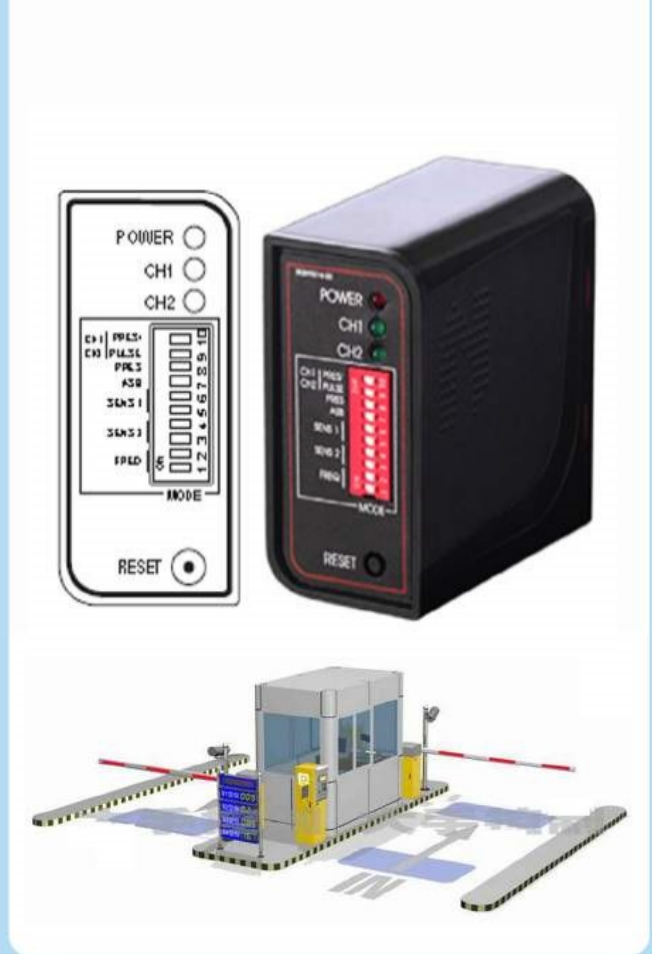




www.open-park.com  
+361 800 1909

# OPEN PARK

Integrated parking and ticketing system



Automatic Number Plate Recognition that works worldwide

Free subscription lane, ticket dispenser for non-members, ticket readers, e-payment with NFC

Centralized management can work with unlimited number of entry and exit lanes

# SINGLE/ DUAL CHANNEL VEHICLE DETECTORS

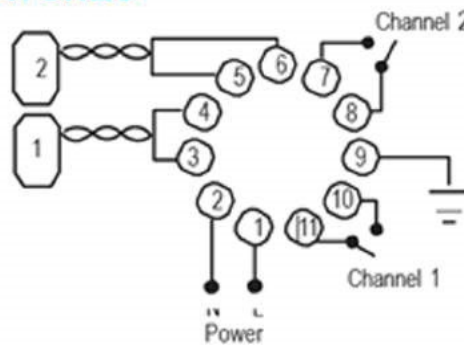
One of the most critical components of the whole vehicle access control system is the inductive loop detector. OpenPark's detectors have been renowned for their reliability and durability for over many years.

Dual channel loop detectors are used to identify the presence of vehicles by means of two independent inductive loops buried under the road and can be used in almost any application.

OpenPark's Dual channel detectors feature A-B logic and flexibility to eliminate cross-talk. All detectors are CE tested and approved. A compact detector diagnostic unit is available for extracting data from new and existing sites.

## VEHICLE DETECTOR FEATURES

- ➔ Compact size & elegant styling
- ➔ Flexible
- ➔ Automatic Sensitivity Boost (ASB)
- ➔ A-B Logic
- ➔ Fault monitor
- ➔ Diagnostic capabilities



## VEHICLE DETECTOR SPECIFICATIONS

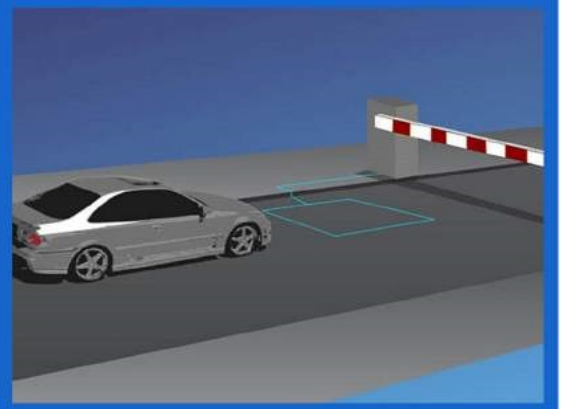
Self-tuning range:	20-1000 $\mu$ H
Sensitivity:	4-step selectable per channel: High: 0.02% $\Delta$ L/L; Medium High: 0.05% $\Delta$ L/L; Medium Low: 0.1% $\Delta$ L/L; Low: 0.5% $\Delta$ L/L
Frequency:	4-step adjustable, 20-70kHz (frequency determined by loop geometry)
Output relays:	1 output relay per channel (fail-safe) Fail secure (factory option)
ASB:	Switch selectable automatic sensitivity boost
Pulse O/P duration:	Approx. 150ms (factory option 250ms)
Presence time:	Selectable: limited or permanent Limited: presence 1 hour for 3% $\Delta$ L/L
Protection:	Loop isolation transformer, Zener diode clamping on loop inputs and gas discharge tube protection
Environment:	Protection level IP65, Operating temperature from -40° to 80° C
Power supply.:	120V AC +/- 15% 48-60Hz (PD231) 230V AC +/- 15% 48-60Hz (PD232) 12-24V AC/DC +/- 15% (PD234) Crurent : 1.5VA max @ 230V
Output relays:	5A @ 230V AC; N/O contact per channel (fail-safe)

## OPERATING MODES:

- 1 Presence (CH1) or Pulse (CH1)
- 2 Presence (CH2) or Pulse (CH2)
- 3 A to B (CH1) & B to A (CH2), (presence or pulse)
- 4 Automatic sensitivity boost off/on

## ORDER INFORMATION:

- ➔ PD232: Dual channel, 230V AC
- ➔ PD234: Dual channel, 12-24 V AC/DC
- ➔ PD132: Single channel, 230V AC





OPENPARK TECHNOLOGIES KFT  
1051 Budapest, Széchenyi István tér 7-8  
Hungary

Tel: +361 800 1909

[www.open-park.com](http://www.open-park.com)